

J SFSNK EF ST TO

JAVA Tap Range Java Single Flow Easyfit Mono Sink Mixer Steel Tap Only



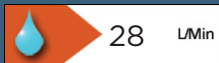
Specification

| | |
|--|--------------------------|
| Product Type: | Kitchen Taps |
| Main Construction Material: | Brass |
| Mount Type: | Deck Mounted |
| Handle Type: | Lever |
| Connection Inlet: | 1/2" BSP Flexible Tails |
| Connection Outlet: | |
| Number of Tap Holes: | 1 |
| Valve/Cartridge Type: | Ceramic Cartridge |
| Plumbing System Requirements: | All, Preferably Balanced |
| Working Pressure Range: | Min 0.3 Bar, Max 5.0 Bar |
| Maximum Hot Water Temperature: °C | 65 |
| Maximum Static Pressure: (bar) | 10 |
| Flow Type: | Single Flow |
| Isolation Included: | Yes |

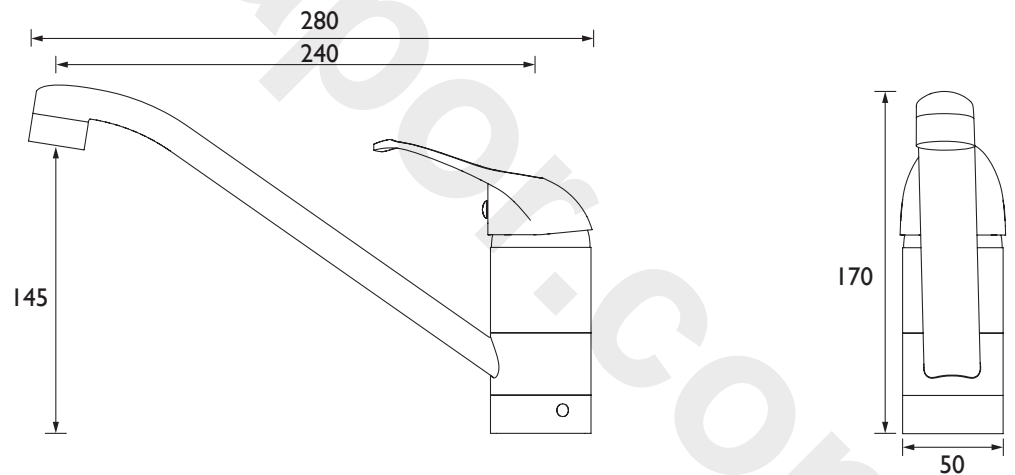
Features:

- Long life ceramic cartridge for added durability and ease of use
- Metal fixing nut for added durability
- Product supplied without Easyfit base

Product Certifications:



Dimensions (measurements in mm)



For more products, visit our website:
<http://www.bristan.com>



Flow Rates (l/min)

| System Pressure (bar) | 0.2 | 0.5 | 1 | 2 | 3 | 5 |
|-----------------------|-----|------|------|------|----|------|
| J SFSNK EF ST TO | 8.9 | 11.4 | 16.2 | 22.9 | 28 | 36.2 |

TECHNICAL DATA SHEET



BRISTAN

TAPS & SHOWERS

D1